

EAVE & RAKE EXTENSIONS

FO2010 - LOW EAVE EXTENSION

FO2011 - LOW EAVE EXTENSION - IMP WALL

FO2310 - RAKE EXTENSION

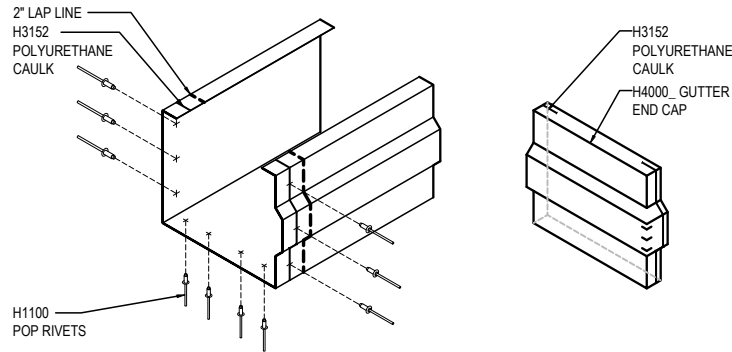
FO2311 - RAKE EXTENSION - IMP WALL

FO2010 - LOW EAVE EXTENSION

[Download the DWG file by clicking here.](#)

GUTTER LAP & END CAP

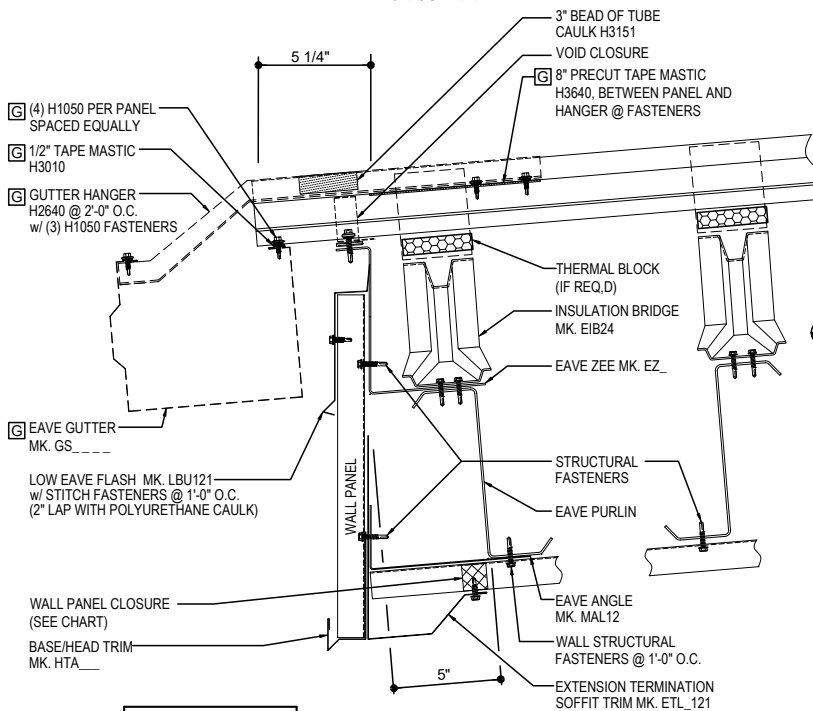
APPLY BEAD OF POLYURETHANE CAULK 1" FROM END OF TRIM AND LAP SECTIONS 2" AND FASTEN AS SHOWN. TO TERMINATE THE GUTTER APPLY POLYURETHANE CAULK TO THREE SIDES OF END CAP AND TOP RETURN AREA AS SHOWN AND INSERT INTO THE GUTTER LEAVING 1/2" EXPOSED. ATTACH WITH RIVETS SAME AS END LAP.



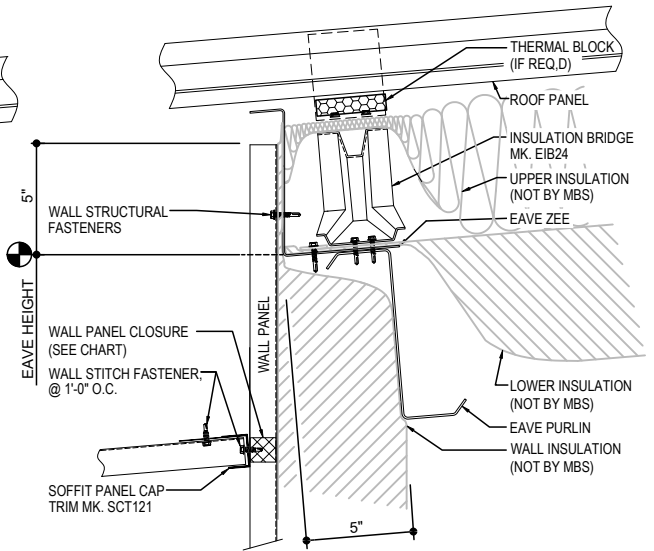
GUTTER SHOWN IF REQ'D

ⓐ REQ'D ONLY FOR GUTTER

NOTE 1: PANEL RIB MUST BE HAND CRIMPED PRIOR TO INSTALLING GUTTER BRACKET!



FASTENER KEY	
STRUCTURAL =	H1040
STITCH =	H1060



OUTSIDE PANEL CLOSURE	
R-PANEL	CORSO
A-PANEL	COASO
REV. R-PANEL	COVSO

R-Boost™ LOW EAVE EXTENSION DETAIL

LOW EAVE EXTENSION WITH OR WITHOUT GUTTER
SEE WALL SHEETING ERECTION NOTES FOR WALL PANEL FASTENER LOCATIONS

FO2010

Detailer Notes:

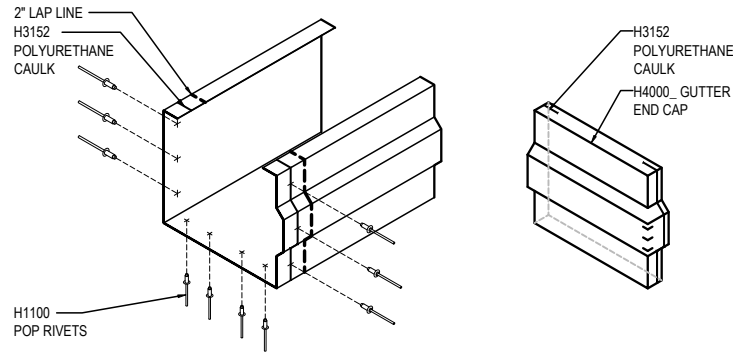
1) N/A

FO2011 - LOW EAVE EXTENSION - IMP WALL

[Download the DWG file by clicking here.](#)

GUTTER LAP & END CAP

APPLY BEAD OF POLYURETHANE CAULK 1" FROM END OF TRIM AND LAP SECTIONS 2" AND FASTEN AS SHOWN. TO TERMINATE THE GUTTER APPLY POLYURETHANE CAULK TO THREE SIDES OF END CAP AND TOP RETURN AREA AS SHOWN AND INSERT INTO THE GUTTER LEAVING 1/2" EXPOSED. ATTACH WITH RIVETS SAME AS END LAP.

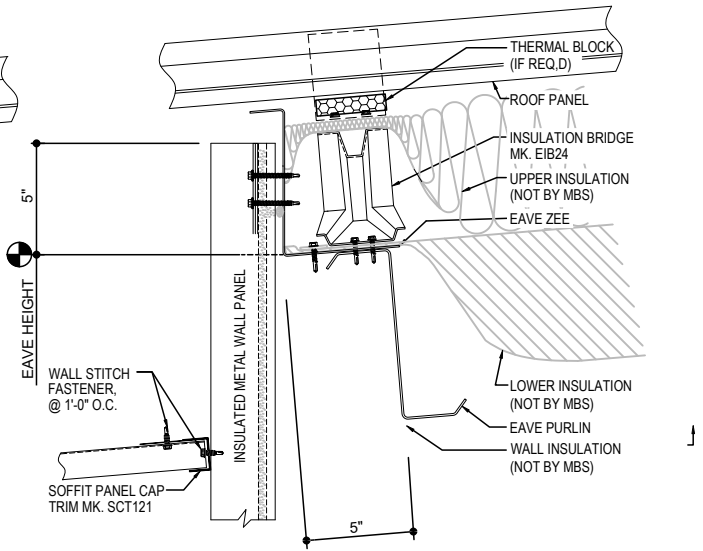
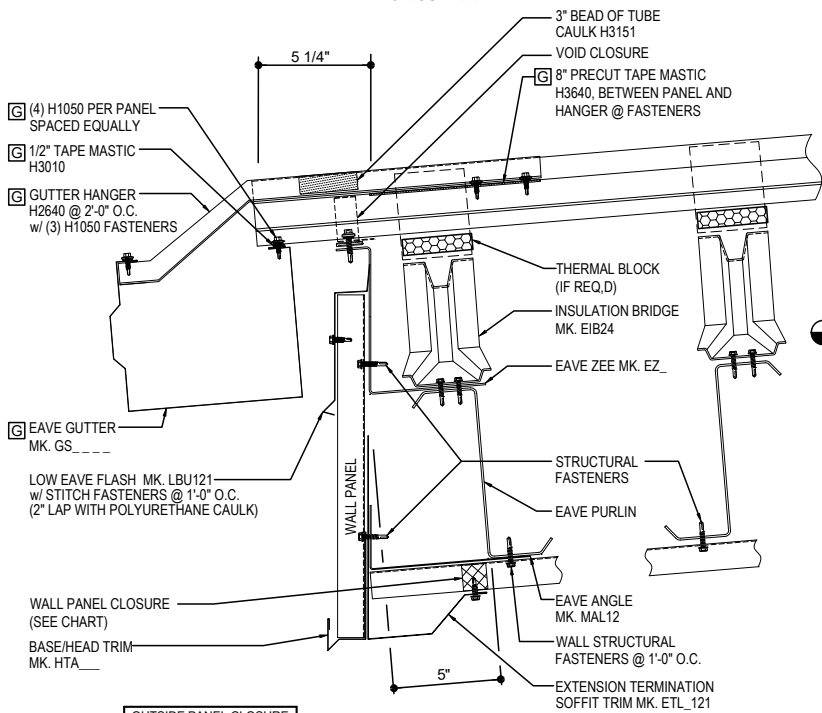


GUTTER SHOWN IF REQ'D

ⓐ REQ'D ONLY FOR GUTTER

NOTE 1: PANEL RIB MUST BE HAND CRIMPED PRIOR TO INSTALLING GUTTER BRACKET!

FASTENER KEY	
STRUCTURAL =	H1040
STITCH =	H1060



OUTSIDE PANEL CLOSURE	
R-PANEL	CORSO
A-PANEL	COASO
REV. R-PANEL	COVSO

R-Boost™ LOW EAVE EXTENSION DETAIL

LOW EAVE EXTENSION WITH OR WITHOUT GUTTER
SEE WALL SHEETING ERECTION NOTES FOR WALL PANEL FASTENER LOCATIONS

FO2011

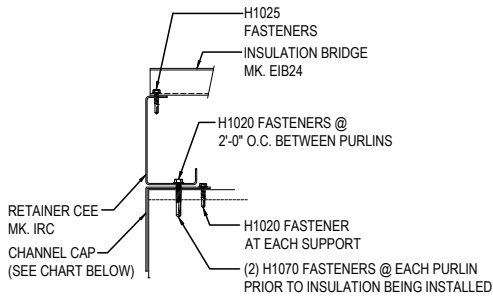
Detailer Notes:

- 1) N/A

FO2310 - RAKE EXTENSION

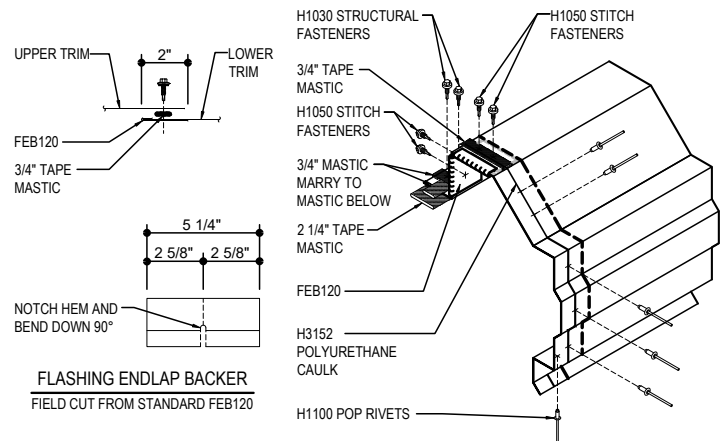
[Download the DWG file by clicking here.](#)

ERECTOR NOTE: *
STARTING RAKE CONDITION IS SHOWN. BRIDGE PREPARATION WILL VARY BETWEEN THE STARTING AND ENDING RAKES, SEE BRIDGE INSTALLATION DETAILS FOR SPECIFIC BRIDGE REQUIREMENTS.



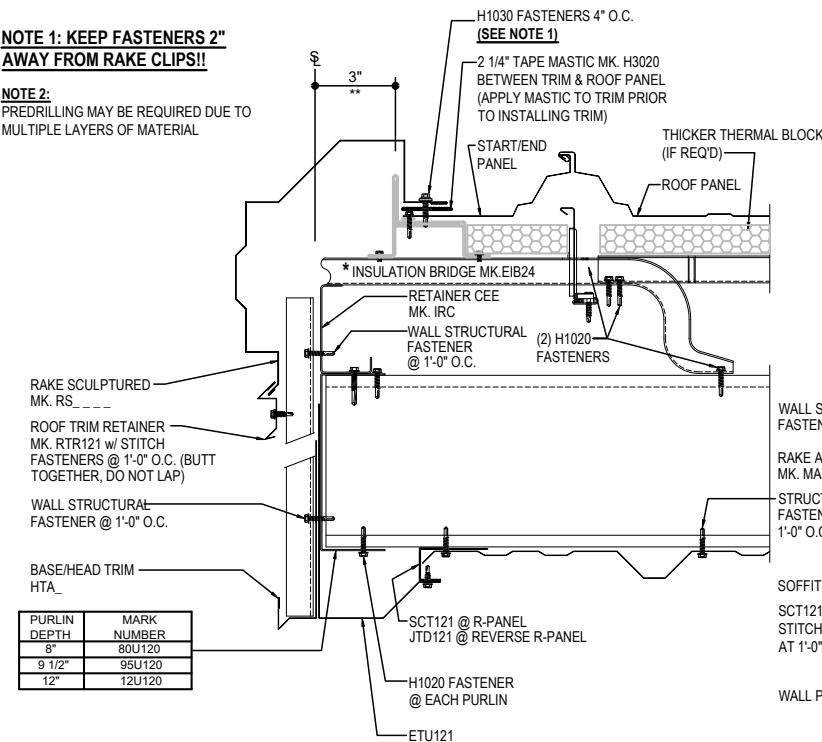
RAKE LAP & FLASHING BACKER

SLIDE FIELD CUT SECTION OF FLASHING ENLAP BACKER ONTO THE LOWER TRIM PIECE AS SHOWN BELOW. PLACE TAPE MASTIC NEXT TO HEM OF THE BACKER (NOT ON TOP OF HEM). APPLY CONTINUOUS BEAD OF CAULK 1" FROM END OF TRIM DOWN PROFILE OF TRIM. FASTEN LAP WITH STITCH FASTENERS AND POP RIVETS AS SHOWN. ROOF STRUCTURAL FASTENERS SHOULD BE USED TO FASTEN THROUGH PANEL FLAT INTO RAKE ANGLE.

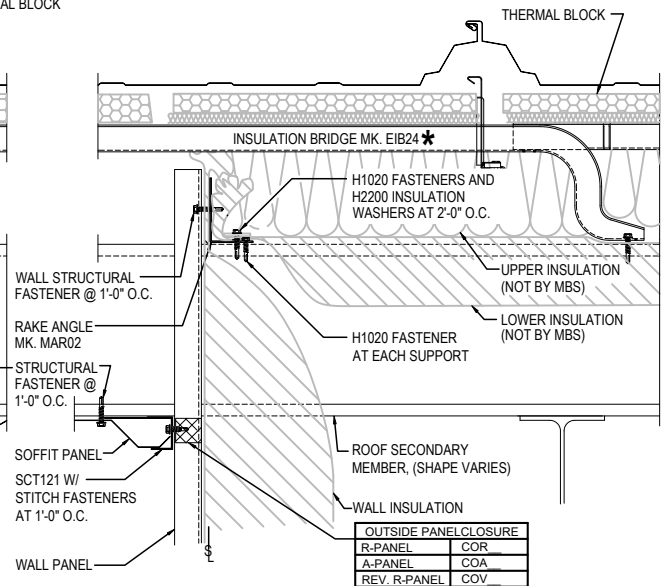


NOTE 1: KEEP FASTENERS 2" AWAY FROM RAKE CLIPS!!

NOTE 2:
PREDRILLING MAY BE REQUIRED DUE TO MULTIPLE LAYERS OF MATERIAL



FASTENER KEY
STRUCTURAL = H1040
STITCH = H1060



R-Boost™ RAKE EXTENSION DETAIL

RAKE EXTENSION DETAIL w/ STANDARD WALL PANELS AND SOFFIT
SEE WALL SHEETING ERECTION NOTES FOR WALL PANEL FASTENER LOCATIONS

FO2310

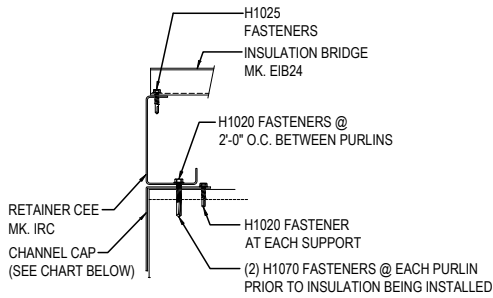
Detailer Notes:

1) N/A

FO2311 - RAKE EXTENSION - IMP WALL

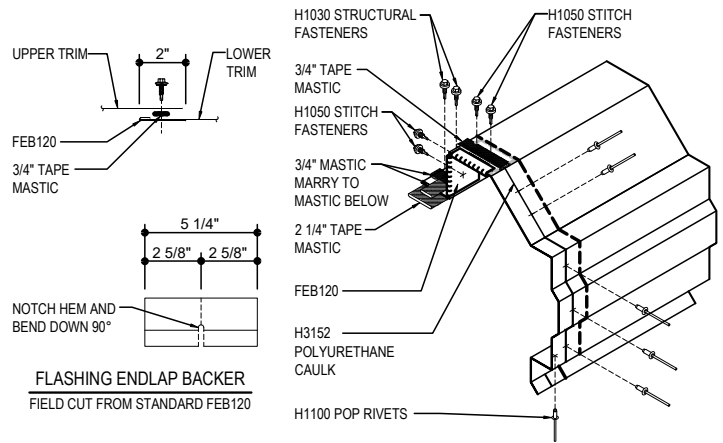
[Download the DWG file by clicking here.](#)

ERECTOR NOTE: *
STARTING RAKE CONDITION IS SHOWN. BRIDGE PREPARATION WILL VARY BETWEEN THE STARTING AND ENDING RAKES, SEE BRIDGE INSTALLATION DETAILS FOR SPECIFIC BRIDGE REQUIREMENTS.



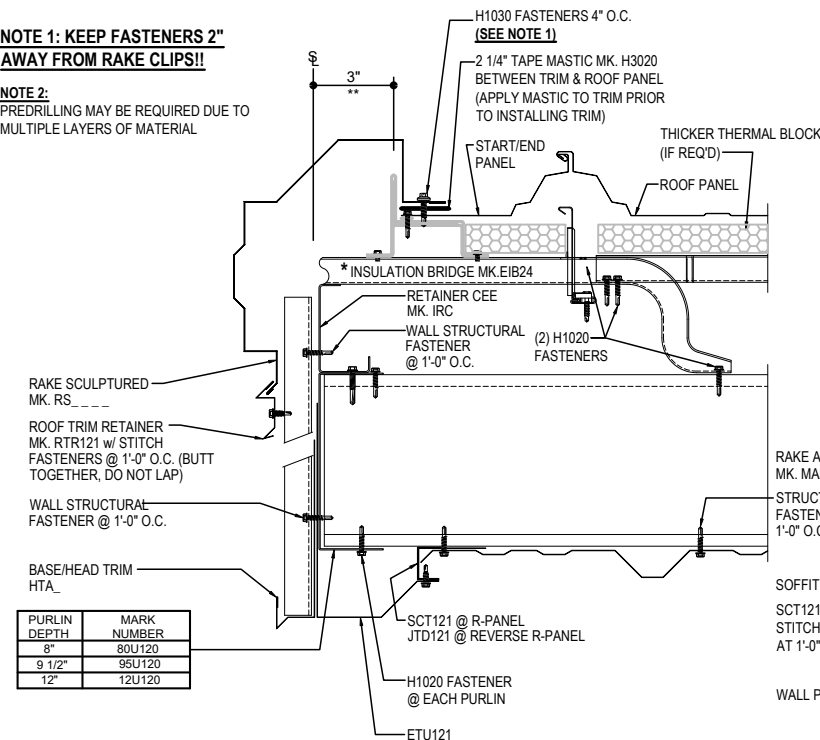
RAKE LAP & FLASHING BACKER

SLIDE FIELD CUT SECTION OF FLASHING ENLAP BACKER ONTO THE LOWER TRIM PIECE AS SHOWN BELOW. PLACE TAPE MASTIC NEXT TO HEM OF THE BACKER (NOT ON TOP OF HEM). APPLY CONTINUOUS BEAD OF CAULK 1" FROM END OF TRIM DOWN PROFILE OF TRIM. FASTEN LAP WITH STITCH FASTENERS AND POP RIVETS AS SHOWN. ROOF STRUCTURAL FASTENERS SHOULD BE USED TO FASTEN THROUGH PANEL FLAT INTO RAKE ANGLE.

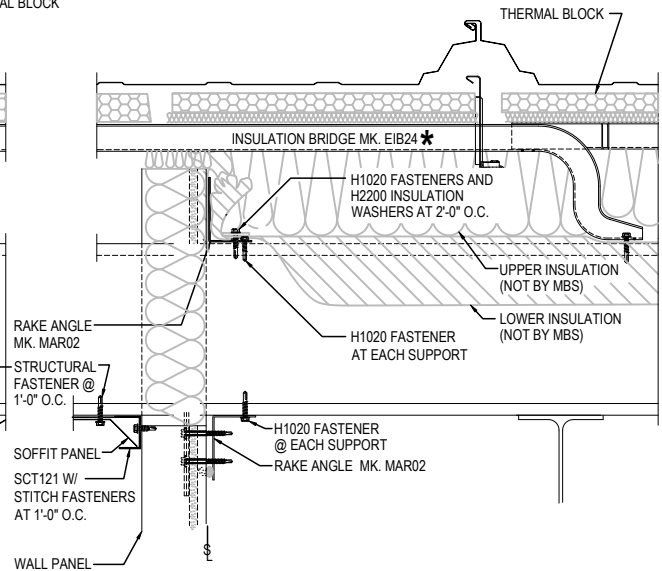


NOTE 1: KEEP FASTENERS 2" AWAY FROM RAKE CLIPS!!

NOTE 2:
PREDRILLING MAY BE REQUIRED DUE TO MULTIPLE LAYERS OF MATERIAL



FASTENER KEY
STRUCTURAL = H1040
STITCH = H1060



R-Boost™ RAKE EXTENSION DETAIL
RAKE EXTENSION DETAIL W/ INSULATED WALL PANELS AND SOFFIT
SEE WALL SHEETING ERECTION NOTES FOR WALL PANEL FASTENER LOCATIONS

FO2311

Detailer Notes:

1) N/A